

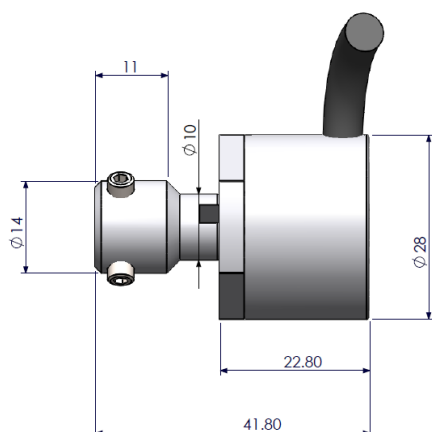


- Compact Dimensions
- Non-contact Measurement
- Very Long Life
- High Accuracy
- Low Noise Level on Output Signal
- Protection Class IP 67

Connections	
- Supply	Black
+ Supply	Red
Output Signal	Yellow

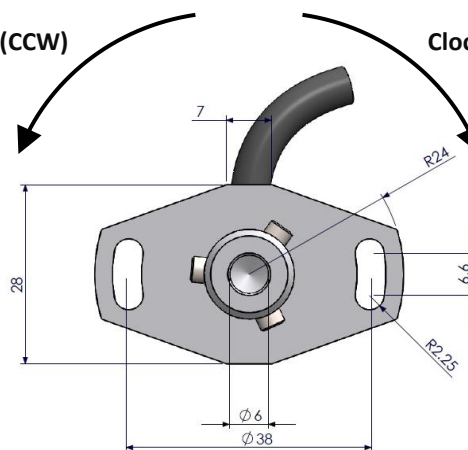
Technical Specification	
Power Supply	5 VDC $\pm 0,5V$ 24 VDC $\pm 6V$
Output Signal	Ratiometric (Supply Voltage 5V $\pm 0,5V$ ) Load $\geq 1K\Omega$ 0,1 ... 10 V ( Supply Voltage 24V $\pm 6V$ ) Load $\geq 1K\Omega$ 4...20 mA ( Supply Voltage 24V $\pm 6V$ ) Load 0...250 $\Omega$
Measuring Range	0...30, 0...360 (10° steps)
Resolution	12 bit
Shaft	Stainless Steel
Housing	Aluminum
Reverse Voltage	Yes, only feeder
Maximum operational speed	120 min <sup>-1</sup>
Accuracy	% 0.5
Cable Length	500 mm
Temperature Range	-25 to +85°
Protection Class	IP 67

### Mechanical Dimensions



Counterclockwise (CCW)

Clockwise (CW)



### Order Code

Model

Power Supply

TTL : 5VDC  $\pm 0,5V$   
PP : 24 VDC  $\pm 6V$

Output Characteristics

CW : Clockwise  
CCW : Anti-Clockwise

RCS 2100

360

TTL

V

CW

0,5M



Angle

360 : 0...360°  
30 : 0...30°

Output Signal

V : 0...10 V  
A : 4...20 mA

Cable Length

0,5M : 0,5 Metre

Atek Sensor Technology A.S.

Tuzla Kimya Sanayicileri Org. San. Bolg. Melek Aras Bulvari, No:67 34956 Tuzla-Istanbul / TURKEY

Tel: +90 216 399 44 04

Fax: +90 216 399 44 02

[www.ateksensor.com](http://www.ateksensor.com)

[info@ateksensor.com](mailto:info@ateksensor.com)